



EXTERNAL SWAGE
HEAVY DUTY - MALE NPT
ZINC PLATED STEEL - 304 SS

FEATURES & APPLICATIONS:

- Use with Industrial Ferrules
- When used with corresponding HDI Ferrules, provide a permanent end connection to rubber industrial hoses for use in the toughest applications.
- Hose applications: Tank Truck, Chemical, Mud Suction, OS&D, Oil Discharge, Frac-Tank, Water Discharge, Water Suction, Water Jetting, Hot Tar & Asphalt, Material Handling, Textile Air, Wire Air, Petroleum and Marine



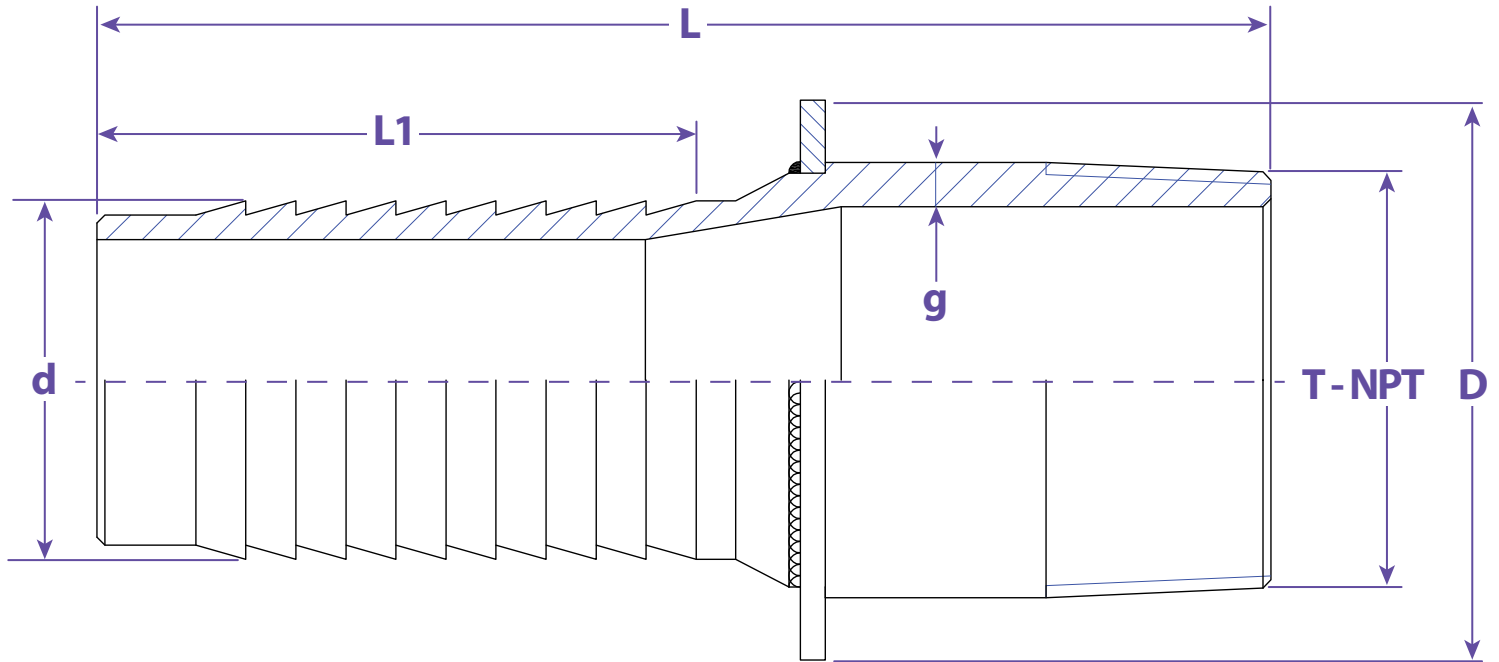
ZINC PLATED STEEL



304 SS

MALE NPT			
SIZE	WORKING PSI	ZINC PLATED STEEL	304 SS #
1-1/2"	800	HD150NPT	HD150NPTSS
2"	800	HD200NPT	HD200NPTSS
2-1/2"	800	HD250NPT	HD250NPTSS
3"	800	HD300NPT	HD300NPTSS
4"	500	HD400NPT	HD400NPTSS
5"	500	HD500NPT	---
6"	500	HD600NPT	---
8"	300	HD800NPT	---

Information contained on this page is for general information purposes only. Seal Fast Inc. assumes no responsibility for errors or omissions for this product.



Dimensions

T	D	d	L	L1	g	Part #
1-1/2"	2.0472	1.5354	5.3976	2.7559	0.1457	HD150
2"	2.6772	2.0315	6.0551	2.8346	0.1535	HD200
2-1/2"	3.1890	2.5315	7.0079	3.3858	0.2047	HD250
3"	3.6614	3.0315	7.9409	4.2520	0.2165	HD300
4"	4.8031	4.0315	9.1339	4.7244	0.2362	HD400
5"	6.1024	5.0315	10.5118	5.9055	0.2598	HD500
6"	7.1654	6.0472	12.5315	5.9843	0.2795	HD600
8"	9.4094	8.0472	14.0551	7.5197	0.3228	HD800

TITLE EXTERNAL SWAGE- HEAVY DUTY HOSE STEMS - MALE NPT

DISCLAIMER

All drawings and specifications are subject to change without notice. Drawings represent general dimensions of our products. Seal Fast cannot guarantee the dimensions of the part will exactly match those in the drawing. This drawing is the property of Seal Fast Inc. Copying or reproduction of this drawing is expressly prohibited.

MATERIAL

HD.... NPT Carbon steel tube
HD.... NPTSS Stainless steel tube 304

DRAWING NOT TO SCALE

PART # HD...NPT, NPTSS

